

---

# 1. EXPLODED VIEWS AND PARTS LIST

---

## [MATERIAL CODE STANDARDS]

Material codes and names and their respective naming rules are managed in accordance with the prescribed standards. Please refer to these standards when requesting a material.

### 1. Material Code Type

● : Number

■ : Letter (Alphabet)

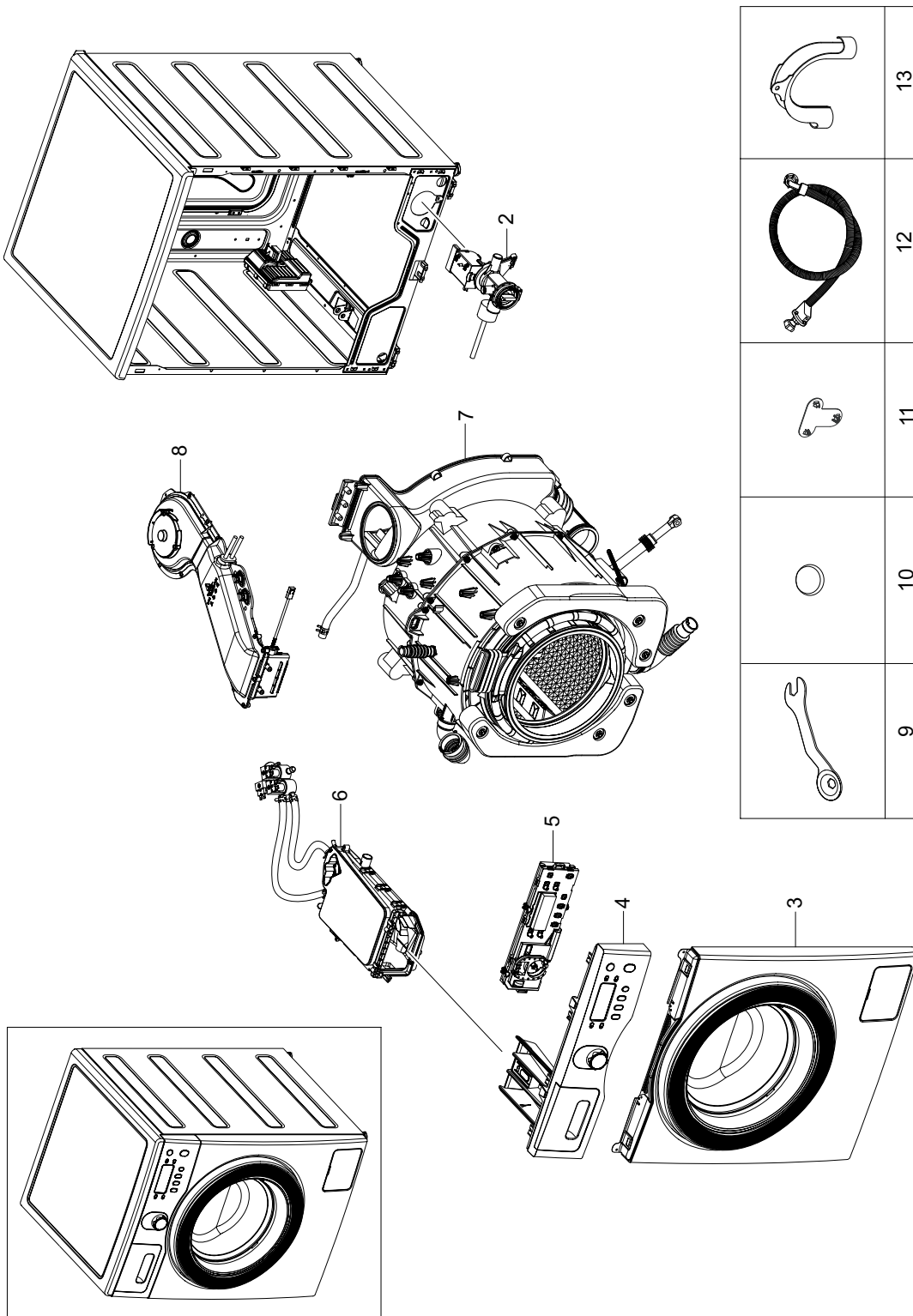
<b>Type 1</b>	●●●●-●●●●●● ex) 0204-000418 FREON	<b>Enterprise-wide parts</b> Type 1 materials can be used for all Samsung Electronics products. (Most electrical parts belong to this type.)
<b>Type 2</b>	■■●●-●●●●●■ ex) DC96-01390A ASSY-CONTROL	<b>Division-wide parts (DC**-Washing machine)</b> Type 2 materials can be used for specific products. (Most instruments and tools belong to this type.)

### 2. Ass'y Materials

All ass'y material codes start with DC9\*.

An ass'y material is created by combining more than two materials. If a requested material cannot be provided, you can request an ass'y material that contains that material.

# 1.MAIN

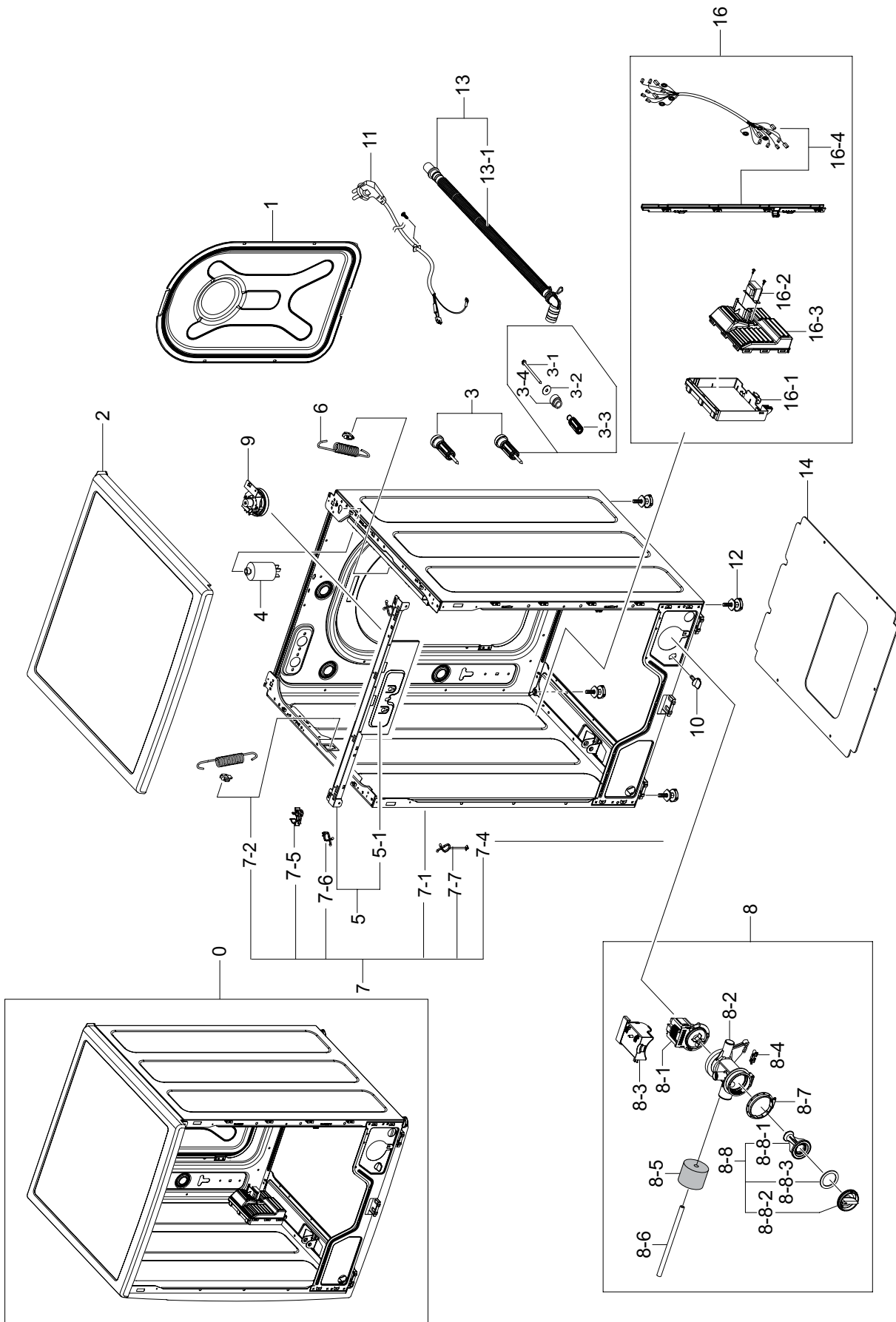


---

**MODEL CODE: WD1704RJC1/XEF**Service Bom (**SA**: SERVICE AVAILABLE, **SNA**: SERVICE NOT AVAILABLE)

Drawing No.	Code No.	Description	Specification	QTY	Un	SA/SNA
2	DC96-01533A	ASSY PUMP DRAIN	WF8804DP,ADV-FILTER/ISOL	1	PC	SNA
3	DC97-16454A	ASSY FRAME FRONT	HEBA-PJT,WF8804DPA/XEO,	1	PC	SA
4	DC97-17094F	ASSY PANEL CONTROL	HEBA COMBO,WD1704RJC1	1	PC	SA
5	DC92-00248B	ASSY PCB SUB	HEBA DD SUB,HEBA DD SUB/WF8	1	PC	SA
6	DC97-14654G	ASSY HOUSING DRAWER	HEBA-COMBO,WF8704RJA	1	PC	SA
7	DC90-13645A	ASSY TUB&DRUM	WD8702RJA1/XEP	1	PC	SNA
8	DC60-00104A	FASTENER-BOLT	ALL,CR,OD36,2.5,L113.5	1	PC	SA
9	DC67-00208B	CAP-FIXER	WF8602NHS/XFA,PP,T1.5,P535-H,B	1	PC	SA
10	DC67-00307A	CAP-FIXER	WF438AAC/XAA,PP,T1.5,BLK,RM60	4	PC	SA
11	DC97-16921A	ASSY HOSE WATER	HEBA,WF8804,REFLEX,BLUE/	1	PC	SA
12	DC62-10278A	HOSE HANGER	PUMP MODEL,PP,BLACK	1	PC	SA

## 2.FRAME & COVER PARTS



**MODEL CODE: WD1704RJC1/XEF**

Service Bom (SA: SERVICE AVAILABLE, SNA: SERVICE NOT AVAILABLE)

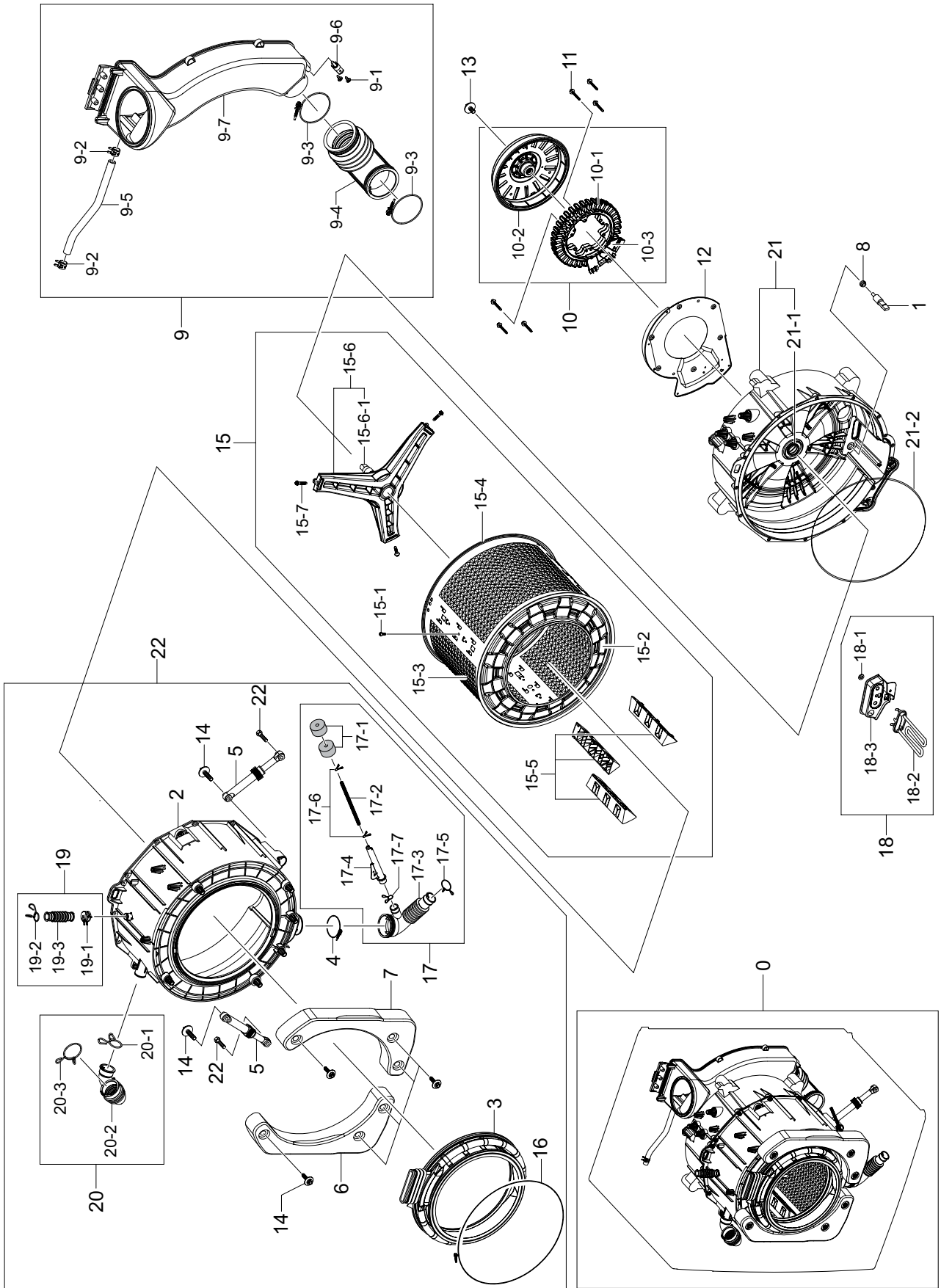
Drawing No.	Code No.	Description	Specification	QTY	Un	SA/SNA
1	DC63-00862C	COVER BACK	WF8600NMW,GI-SGCC,T0.35,W352,	1	PC	SA
2	DC97-14953A	ASSY COVER TOP	HEBA-PJT,-,WOOD+AL FOIL+U	1	PC	SA
3	DC97-14794C	ASSY FIXER TUB	SCOUT,WF0704L7W/XEF	4	PC	SA
3-1	6011-001669	BOLT-HEX	M7,L160,ZPC2,SCM435,TAPPING	4	PC	SNA
3-2	DC60-60044B	WASHER PLAIN	SBC,ID8.4/OD30,T2.0	4	PC	SA
3-3	DC61-02028B	FIXER TUB	HEBA-PJT,FRPP,ID8.0/OD25.0,NTR	4	PC	SNA
3-4	DC73-00035A	FIXER RUBBER	WF0804Y8E/XEF,EPDM,OD25/ID1	4	PC	SNA
4	DC29-00015F	FILTER-EMI	LFT-215K-2,SCOUT-PJT,250VAC,1	1	PC	SNA
5	DC97-15557A	ASSY FRAME PLATE(U)	HEBA-COMBO,WD8704DJF	1	PC	SA
5-1	DC61-02376A	BRACKET DUCT SCROLL	HEBA-COMBO,GI-SGCC,T	1	PC	SNA
6	DC61-02029B	SPRING ETC-HANGER	HEBA 7kg,HSWR-SWRH,CD3	2	PC	SA
7	DC97-16449R	ASSY PAINT FRAME	HEBA-COMBO,WD8704DJF1/Y	1	PC	SA
7-1	DC97-16439M	ASSY FRAME	HEBA-COMBO,W8704DJF1/YAH,PCM(	1	PC	SNA
7-2	DC61-02065A	GUIDE SPRING	WF448AAG/XXA,POM,T4,W24,L36	2	PC	SA
7-4	DC97-00920H	ASSY LEG	-,ALL EXCEPT AUSTRALI MODEL,L33	4	PC	SA
7-6	DC61-40081A	HOLDER WIRE	DAWH-2NC,PA,-,NATURAL,-	9	PC	SA
7-7	DC61-00995C	HOLDER WIRE	HEBA-PJT,PA,ID26,W6,L145,NYL	1	PC	SA
8	DC96-01533A	ASSY PUMP DRAIN	WF8804DP,ADV-FILTER/ISOL	1	PC	SNA
8-1	DC31-30008D	PUMP-DRAIN	SW-70XP,220/240V,50Hz,SYNCHRO	1	PC	SA
8-2	DC61-01951A	CASE PUMP	WF8804DP,PP,T2.5,W128,L108,-,-	1	PC	SNA
8-3	DC63-01410A	COVER PUMP	COVER-PUMP,PP,T1.3,W50,L77,V0	1	PC	SNA
8-4	DC63-00905A	CUSHION PUMP	WF8802DPF/XET,NBR,-,W37.6,L	1	PC	SNA
8-5	DC63-10003C	SPONGE-HOSE AIR	SWF-P12,PU-FOAM,GRY	1	PC	SNA
8-6	DC67-00244K	HOSE DRAIN	HEBA,EPDM,ID6,OD10,T2.0,L200,	1	PC	SNA
8-7	DC69-01128A	PACKING-PUMP	WF8804DP,IIR,BUTYL,T2.5,HEB	1	PC	SNA
8-8	DC97-14278B	ASSY FILTER	HEBA,WF0804Y8E1/YLP	1	PC	SNA
8-8-1	DC63-00865A	FILTER PUMP	WF8804DP,PP	1	PC	SA
8-8-2	DC64-02783A	HANDLE FILTER	WF350ANW/XAA,PP,T2.3,W63.8	1	PC	SA
8-8-3	DC73-00022A	SEAL PACKING	SEW-HVR149ATA,EPDM,BLK,-	1	PC	SA
9	DC96-01703B	ASSY SENSOR PRESSURE	PURPLE PJT,PURPLE P	1	PC	SA
10	DC61-10673C	CAP DRAIN	WF1802XEY/XSC,FRPP,BLACK	1	PC	SA
11	DC96-00146A	ASSY POWER CORD	VDE,UCP2,250V16A,H05VV-F	1	PC	SA
13	DC97-02250Z	ASSY HOSE DRAIN(O)	HEBA-PJT,GRY	1	PC	SA
13-1	DC62-10022G	HOSE PUMP	SWF-P12,PP,ID20.5,L1980,-,-,WH	1	PC	SNA
14	DC64-01757A	SHUTTER	HEBA-PJT,PP,T3.0,-,-,WHT,7kg/DAN	1	PC	SA
16	DC92-00822B	ASSY PCB MAIN UNION	HEBA COMBO	1	PC	SC
16-1	DC92-00247B	ASSY PCB MAIN	HEBA DD/GE WASHER,HEBA DD/	1	PC	SNA
16-2	DC26-00009D	TRANS-REACTORV	SEW-3HR105,220V-240V,3A,2	1	PC	SA

---

**MODEL CODE: WD1704RJC1/XEF**Service Bom (**SA**: SERVICE AVAILABLE, **SNA**: SERVICE NOT AVAILABLE)

<b>Drawing No.</b>	<b>Code No.</b>	<b>Description</b>	<b>Specification</b>	<b>QTY</b>	<b>Un</b>	<b>SA/SNA</b>
16-3	DC63-01040B	COVER-PCB(M)	WF9904RWE/XEU,HIPS,T2.5,W19	1	PC	SNA
16-4	DC96-00929E	ASSY WIRE HARNESS	HFR178RTW	1	PC	SNA

### 3.ASS'Y TUB DRUM



## MODEL CODE: WD1704RJC1/XEF

Service Bom (SA: SERVICE AVAILABLE, SNA: SERVICE NOT AVAILABLE)

Drawing No.	Code No.	Description	Specification	QTY	Un	SA/SNA
0	DC90-13645A	ASSY TUB&DRUM	WD8702RJA1/XEP	1	PC	SNA
1	DC32-00010A	THERMISTOR	-,11982OHM AT 25□,-,-55~155,-	1	PC	SNA
2	DC61-01933A	TUB FRONT	HEBA PJT,FRPP,ID528,OD575,NTR,	1	PC	SA
3	DC64-01827A	DOOR DIAPHRAGM	WD8704DJF,EPDM,T1.5,H83,W	1	PC	SNA
4	DC65-00021A	CLAMPER HOSE-JOINT	HEBA PJT,HSWR-SWRH,ID	1	PC	SNA
5	DC66-00421B	DAMPER SHOCK	HEBA-SSEC PJT,PP,L215,80N	2	PC	SC
6	DC67-00580A	WEIGHT-BALANCER(F/L)	HEBA-PJT,CONCRETE,T	1	PC	SA
7	DC67-00581A	WEIGHT-BALANCER(F/R)	HEBA-PJT,CONCRETE,T	1	PC	SA
8	DC69-00824A	PACKING-THERMISTOR	GW-PJT,EPDM,-,-,W17,H	1	PC	SNA
9	DC93-00032B	ASSY DUCT CONDENSER	HEBA COMBO,WD8700,CO	1	PC	SA
9-1	6002-000444	SCREW-TAPPING	TH,+2,M4,L14,PASS,STS430	1	PC	SNA
9-2	DC65-00008B	CLAMPER HOSE	SSEC-GE,SK5,ID14.2,ZPC2,T1.	4	PC	SNA
9-3	DC65-00021B	CLAMPER HOSE-JOINT	HEBA-PJT,HSWR-SWRH,ID	2	PC	SNA
9-4	DC67-00369A	HOSE CONDENSER	HEBA COMBO,EPDM,ID60,OD65	1	PC	SNA
9-5	DC67-00051B	HOSE DRAWER	Q1636GW/XEU,EPDM,ID9.0,OD14.	0.07	M	SNA
9-6	DC32-00004C	THERMISTOR	PTM-K51F-S16,R=3.3KΩ±5%(at 10	1	PC	SNA
9-7	DC93-00031B	ASSY S.DUCT CONDENSER	HEBA COMBO,WD8700,	1	PC	SNA
10	DC96-01218E	ASSY DD BLDC MOTOR	DON800,25MM/AL WIRE/0	1	PC	SA
10-1	DC31-00074B	MOTOR BLDC-ASSY STATOR	DON800,0~1400,-,F	1	PC	SNA
10-2	DC31-00075E	MOTOR BLDC-ASSY ROTOR	DON800,0~1400,-,Fr	1	PC	SNA
10-3	DC31-00076A	MOTOR BLDC-ASSY HALL SENSOR	DON700, 800,	1	PC	SNA
11	6011-001627	BOLT-ETC	M6,L56,MFZn,SCM435,P1.0/HEX/WSP	6	PC	SNA
12	DC63-01294A	COVER MOTOR	SCOUT,EGI-SECC,T0.8,W75.1,L2	1	PC	SNA
13	6011-003728	BOLT-ETC	M12,L32,ZPC2,SWRCH10AK,WSP WASH	1	PC	SNA
14	DC97-14263A	ASSY BOLT	HEBA-PJT,MOTOR/BOLT(M8)+WASHER	2	PC	SA
15	DC97-14373X	ASSY DRUM	HEBA DD,WD0804W8E1/XEU,NEW WRA	1	PC	SA
15-1	6002-001006	SCREW-TAPPING	TH,+,-,2S,M4,L12,PASS,STS4	3	PC	SNA
15-2	DC66-00489A	DRUM FRONT	HEBA PJT,STAINLESS-STS430,ID3	1	PC	SNA
15-3	DC66-00769A	DRUM WRAPPER	SCOUT,STAINLESS-STS430,OD 4	1	PC	SNA
15-4	DC66-00492A	DRUM BACK	HEBA PJT,STAINLESS-STS430,ID48	1	PC	SNA
15-5	DC66-00493A	DRUM LIFTER	HEBA PJT,PP,TI42,GRAY,7/8KG	3	PC	SA
15-6	DC97-14370H	ASSY FLANGE SHAFT	SSEC HEBA DD,WD0804W8N	1	PC	SA
15-6-1	DC60-00057A	FLANGE SHAFT	HEBA PJT/(AEGIS PJT),ALDC1	1	PC	SNA
15-7	DC60-40137A	BOLT HEX	MARS-PJT,STAINLESS-STS430,M8,P1	3	PC	SA
16	DC91-12077G	ASSY CLAMP DIAPHRAGM	AEGIS,WF8500NH/WLP	1	PC	SA
17	DC97-14637C	ASSY HOSE PRESSURE	combo	1	PC	SA
17-1	DC63-10003H	ABSORBER SPONGE	SPONGE-HOSE AIR,PU-FOAM,	1	PC	SNA
17-2	DC67-00230E	HOSE WATER	WD8704,TPE,ID4.5,GRY	1	PC	SNA
17-3	DC67-00293A	HOSE FILTER TUB	HEBA-PJT,EPDM,-,-,T2.5,-	1	PC	SA
17-4	DC67-00297A	HOSE JOINT AIR	HEBA&Aegis-PJT,PP,L167.3,	1	PC	SNA
17-5	DC72-00001H	CLIP RING	HEBA-PJT,HSWR-SWRH,PI3.0,ID35,	1	PC	SNA
17-6	DC61-70029C	CLIP RING	SEW-HW125,HSWR,WHITE	2	PC	SNA
17-7	DC65-60125B	CLIP RING	HSWR-SWRH,PI2.4,ID25,-	1	PC	SNA
18	DC47-00033B	HEATER-WASH	HEBA,SUS316L,2000,8.69,230V,	1	PC	SA
18-1	6031-001500	WASHER-PLAIN	N6M03,-,ID8,OT17,T0.2,-,-	1	PC	SNA

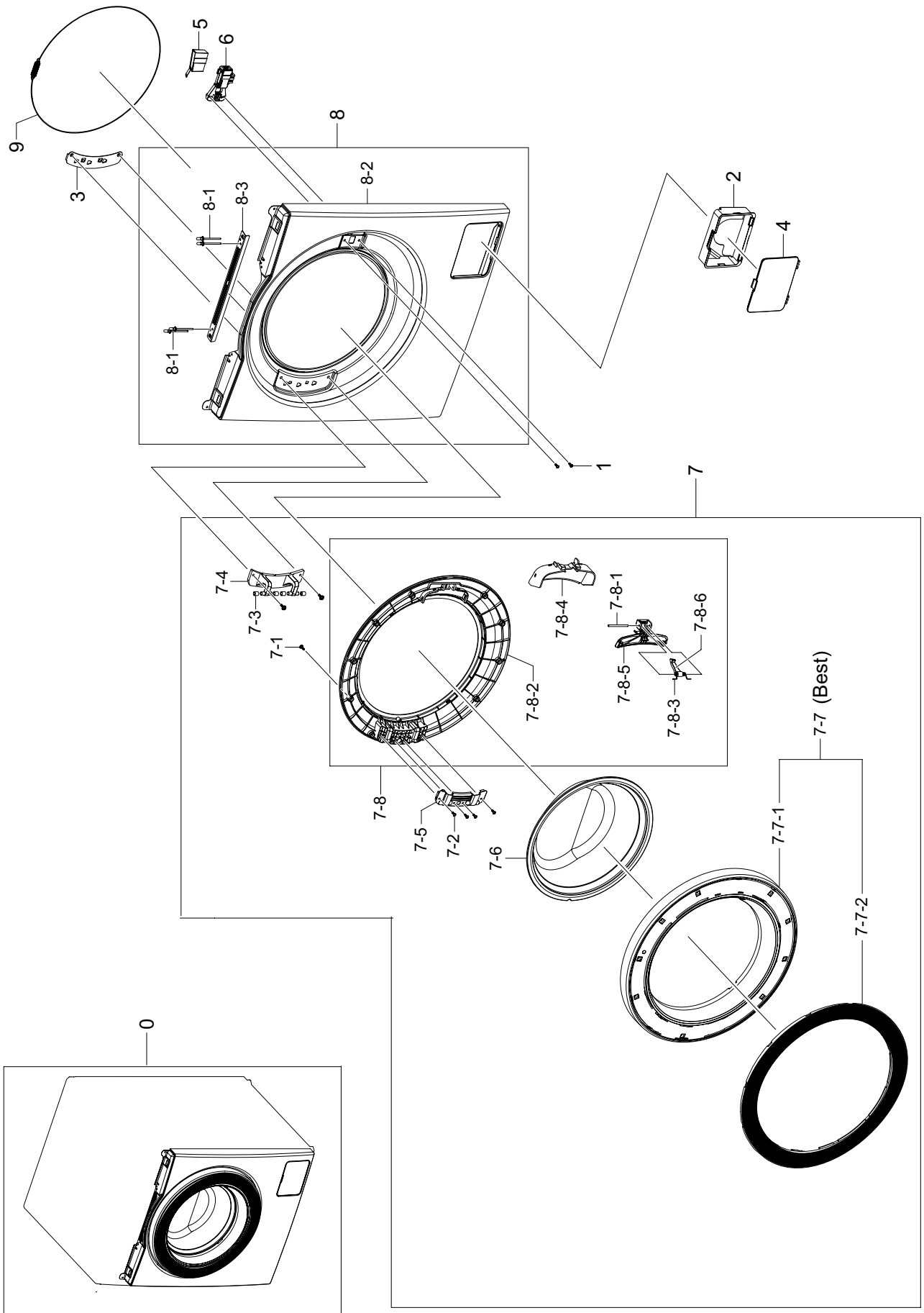


---

**MODEL CODE: WD1704RJC1/XEF**Service Bom (**SA**: SERVICE AVAILABLE, **SNA**: SERVICE NOT AVAILABLE)

Drawing No.	Code No.	Description	Specification	QTY	Un	SA/SNA
18-2	DC47-00033B	HEATER-WASH	HEBA,SUS316L,2000,8.69,230V,	1	PC	SA
19-1	DC61-00219B	CLAMPER HOSE	SK5,WLSL1100A,ID24 OD26.4	1	PC	SNA
19-2	DC65-60118J	CLIP-RING	HSWR,WHT,PI2.0/ID23	2	PC	SNA
19-3	DC67-00354A	HOSE AIR	HEBA PJT,EPDM,BLK,7kg	1	PC	SA
20-1	DC65-60118R	CLIP-RING	AEGIS-PJT,HSWR,T3.0,ID36.5,WHT	1	PC	SA
20-2	DC67-00422A	HOSE DRAWER TUB	HEBA-PJT,EPDM,BLK	1	PC	SC
20-3	DC72-00001G	CLIP-RING	HEBA-PJT,HSWR,T2.4,ID49.5,W21.	1	PC	SNA
21	DC97-16462C	ASSY SEMI TUB BACK	Heba PJT,WD0804W8N1/Y	1	PC	SA
21-1	DC62-00008A	SEAL OIL	NBR,BLACK,-,NBU	1	PC	SA
21-2	DC69-01154A	PACKING-TUB	WF8804DP,EPDM,-,-,L1650	1	PC	SA
22	DC97-16460K	ASSY SEMI TUB FRONT	Heba COMBO,WD8704DJF	1	PC	SA

# 4.ASS'Y FRAME FRONT

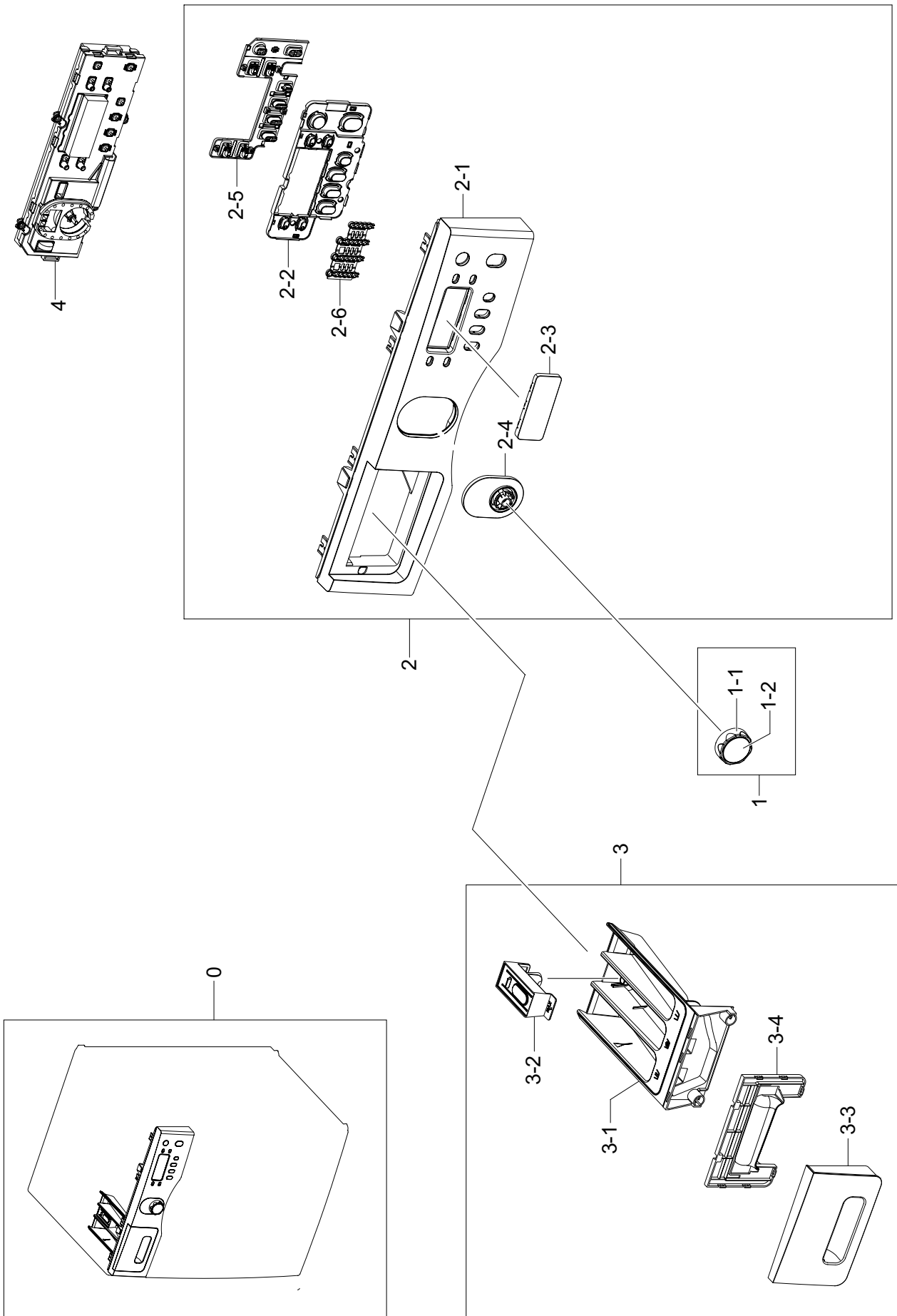


## MODEL CODE: WD1704RJC1/XEF

Service Bom (SA: SERVICE AVAILABLE, SNA: SERVICE NOT AVAILABLE)

Drawing No.	Code No.	Description	Specification	QTY	Un	SA/SNA
1	6002-000471	SCREW-TAPPING	TH,+,-,1,M4,L12,PASS,STS304,-	2	PC	SNA
2	DC61-01917B	GUIDE FILTER	WF8804DP,PP,T2.0,W118.9,L14	1	PC	SA
3	DC61-01919A	BRACKET HINGE	WF8804DP,GI-SGCC,T1.4,L161	1	PC	SA
4	DC63-01516A	COVER-FILTER	WF8804DPA,ABS,T2.5,115.7,15	1	PC	SA
5	DC63-00967A	COVER DOOR SWITCH	AEGIS-PJT/ WF8500NHWP	1	PC	SA
6	DC64-01538A	DOOR-LOCK S/W	ZV-446L5,PA,W95,L52,WHITE,	1	PC	SA
7	DC97-15005K	ASSY DOOR	heba-combo,WD8754RJC/YL,ABS,T2	1	PC	SNA
7-1	6002-001554	SCREW-TAPPING	TH,+ ,No,1,M4,L12,STS430,HE	12	PC	SNA
7-2	6002-000445	SCREW-TAPPING	TH,+ ,NO,2,M4,L18,PASS,STS4	4	PC	SNA
7-3	DC61-00891A	GUIDE HINGE	HAUZEN(DOM),POM,-,-,-,WHT,HI	4	PC	SA
7-4	DC61-03189A	HINGE DOOR	WF8804DP,PA66,T5.0,W51.7,L156	1	PC	SA
7-5	DC61-01915B	BRACKET HOLDER	WF8804DP,GI-SGCC,T1.2,N/A	1	PC	SA
7-6	DC64-01521A	DOOR GLASS	WF8804DP,GLASS,T5.0,H120.5,NA	1	PC	SA
7-7	DC97-14328T	ASSY COVER DOOR	HEBA-COMBO,WD8754RJC,ABS	1	PC	SA
7-7-1	DC63-00856E	COVER-DOOR	WD8754RJC/YL,ABS,T2.5,D480,CR	1	PC	SNA
7-7-2	DC64-01897A	DOOR SAFETY	WD8704DJF,PET,T2.5,H24.1,W32	1	PC	SNA
7-8	DC97-15375J	ASSY HOLDER GLASS	HEBA,WF0804Y8E1/YLP	1	PC	SA
7-8-1	DC64-00564A	HANDLE PIN	Q1636GW/XEU,STS,-,-,-,-,TS-	1	PC	SA
7-8-2	DC61-01909B	HOLDER GLASS	WF8804DPA,PP,T2.5,OD479.5,G	1	PC	SNA
7-8-3	DC61-02027A	SPRING ETC LEVER	STAINLESS-STS304,CD1.2,	1	PC	SA
7-8-4	DC63-00853E	COVER HANDLE	HEBA,ABS,T2.5,Noble Gray,-	1	PC	SA
7-8-5	DC64-01524C	HANDLE DOOR	HEBA,ABS,T2.5,Noble Gray	1	PC	SA
7-8-6	DC66-00497A	LEVER DOOR	WF8804DP,ZNDC,T10,W10,L46,NI	1	PC	SC
8	DC97-16454A	ASSY FRAME FRONT	HEBA-PJT,WF8804DPA/XEO,	1	PC	SA
8-1	DC60-00018A	RIVET PLATE	MSWR-SWRH,D4,L43,WHT	4	PC	SNA
8-2	DC61-02919A	FRAME FRONT	WF8804HPA,EGI-SECC,T0.8	1	PC	SNA
8-3	DC61-01981A	BRACKET FRAME	WF8804DP,GI-SGCC,T0.8,W20,	1	PC	SNA
9	DC91-12078D	ASSY WIRE DIAPHRAGM	HEBA-PJT,-,-,-,-,-	1	PC	SA

# 5.PANEL-CONTROL & DRAWER

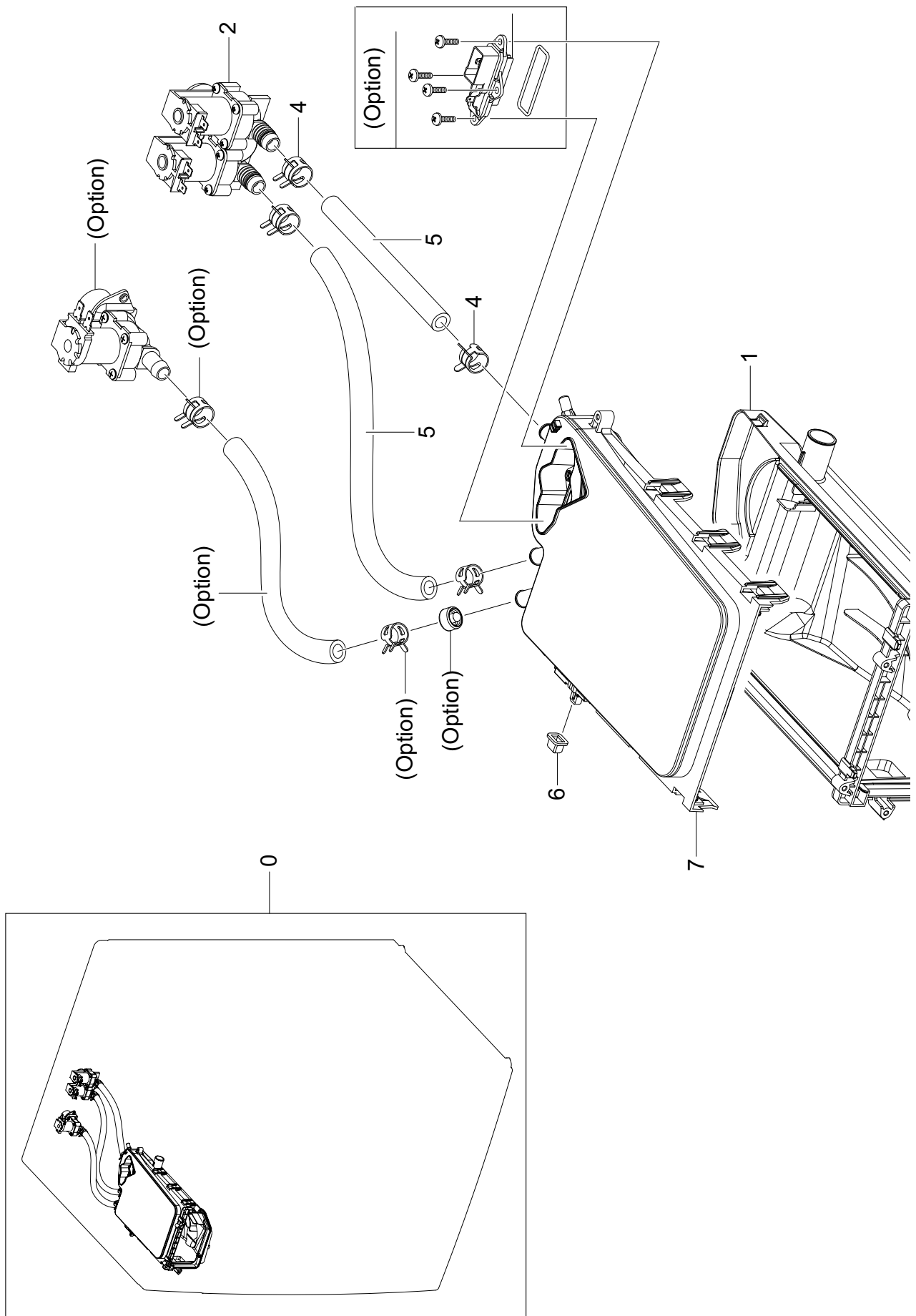


---

**MODEL CODE: WD1704RJC1/XEF**Service Bom (**SA**: SERVICE AVAILABLE, **SNA**: SERVICE NOT AVAILABLE)

Drawing No.	Code No.	Description	Specification	QTY	Un	SA/SNA
1	DC97-17357A	ASSY KNOB ENCODER	SEINE/BAIKAL/VOLGA	1	PC	SA
1-1	DC64-02900A	KNOB ENCODER	SEINE-PJT,ABS,SPARKING META	1	PC	SNA
1-2	DC64-02800A	DECORATION ENCODER	BAIKAL-PJT,ABS,T2.5,N	1	PC	SNA
2	DC97-17094F	ASSY PANEL CONTROL	HEBA COMBO,WD1704RJC1	1	PC	SA
2-1	DC64-01528A	PANEL CONTROL	HEBA-PJT,ABS,-,HG-0760GP,D	1	PC	SNA
2-2	DC64-02698A	BUTTON PUSH-FUNCTION	HEBA,ABS,WHT	1	PC	SNA
2-3	DC64-01531A	WINDOW PANEL	HEBA-PJT,ABS,T2.0,-,-,BLK	1	PC	SNA
2-4	DC64-01533A	WINDOW ENCODER	HEBA,ABS,T2.0,-,-,BLK,H	1	PC	SNA
2-5	DC64-02697A	BUTTON-LED	HEBA,ABS,NTR	2	PC	SNA
3	DC97-16500C	ASSY PANEL DRAWER	VISTULA,WF1702WPC/XEU,	1	PC	SA
3-1	DC61-02973A	BODY DRAWER	WD8804DPA,PP,WHITE,HEBA	1	PC	SA
3-2	DC61-02972A	STOPPER DRAWER	WF8804DPA,PP+GF,T1.8,NTR,	1	PC	SA
3-3	DC64-01526A	PANEL DRAWER	HEBA-PJT,ABS,T2.5,W183.8,L1	1	PC	SNA
3-4	DC64-01527A	HANDLE DRAWER	HEBA-PJT,ABS,T2.0,WHT	1	PC	SNA
4	DC92-00248B	ASSY PCB SUB	HEBA DD SUB,HEBA DD SUB/WF8	1	PC	SA

## 6.ASS'Y HOUSING DRAWER

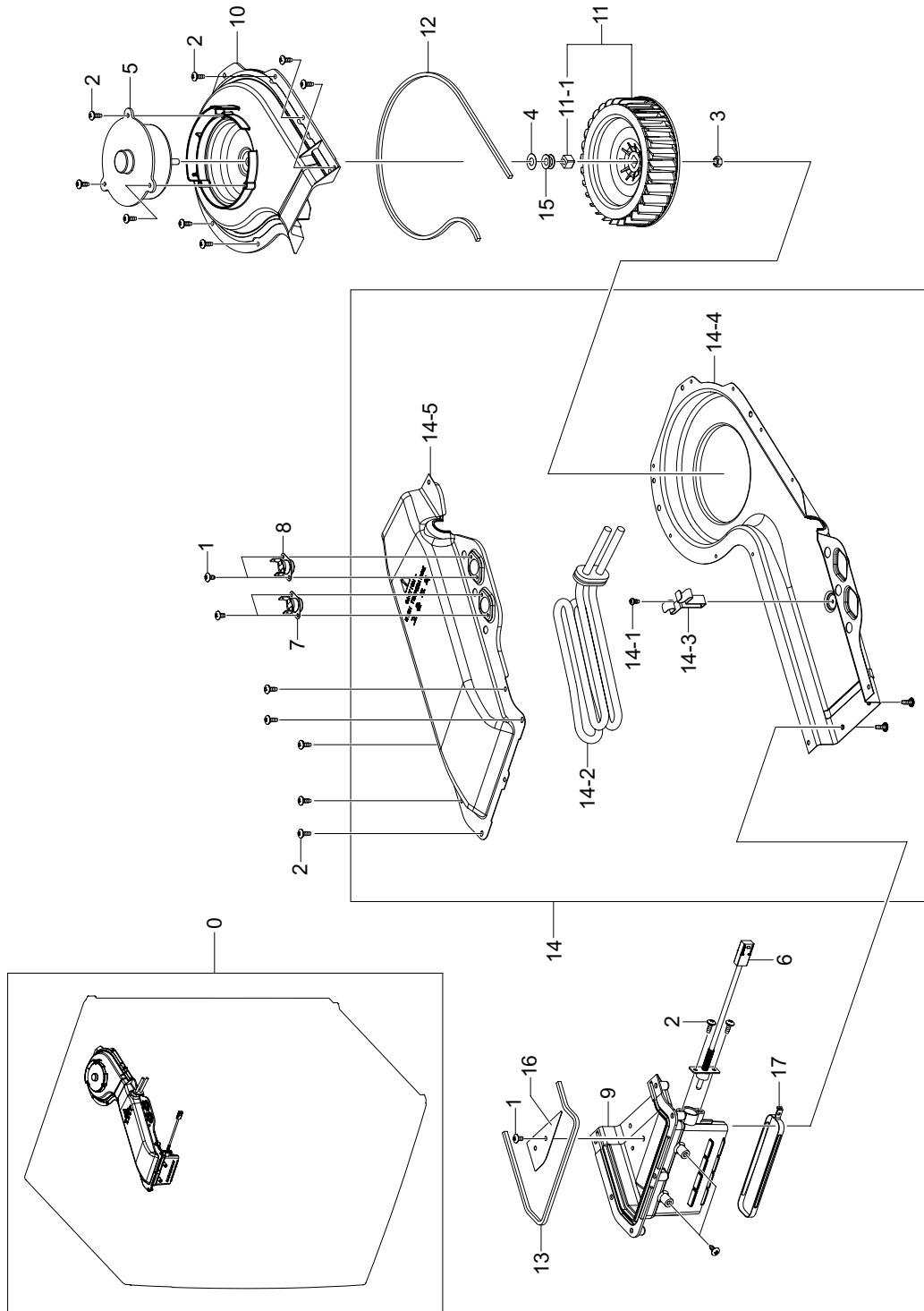


---

**MODEL CODE: WD1704RJC1/XEF**Service Bom (**SA**: SERVICE AVAILABLE, **SNA**: SERVICE NOT AVAILABLE)

Drawing No.	Code No.	Description	Specification	QTY	Un	SA/SNA
0	DC97-14654G	ASSY HOUSING DRAWER	HEBA-COMBO,WF8704RJA	1	PC	SA
1	DC61-02434A	HOUSING DRAWER-LOW	HEBA-PJT,PP,T1.8,NTR	1	PC	SA
2	DC62-00142A	VALVE WATER	220-240,10,D-3	1	PC	SC
4	DC65-00008B	CLAMPER HOSE	SSEC-GE,SK5,ID14.2,ZPC2,T1.	4	PC	SNA
5	DC67-00051B	HOSE DRAWER	Q1636GW/XEU,EPDM,ID9.0,OD14.	0.48	M	SNA
6	DC67-00327A	CAP DRAWER HOOK	HEBA-PJT,EPDM,T1.1,W13.9	1	PC	SNA
7	DC97-14656B	ASSY S.HOUSING DRAWER	HEBA-PJT,-,PP,8kg,	1	PC	SA

# 7.ASS'Y AIR WASH





**MODEL CODE: WD1704RJC1/XEF**Service Bom (**SA**: SERVICE AVAILABLE, **SNA**: SERVICE NOT AVAILABLE)

Drawing No.	Code No.	Description	Specification	QTY	Un	SA/SNA
0	DC93-00033A	ASSY DUCT SCROLL	HEBA-COMBO,WD8700,-,-,-	1	PC	SA
1	6002-000239	SCREW-TAPPING	TH,+,NO,2S,M4,L8,ZPC(WHT),	5	PC	SNA
2	6006-001174	SCREW-TAPPING	TH,+,WE,2S,M4,L12,ZPC(WHT)	23	PC	SNA
3	6021-000225	NUT-HEXAGON	2C,M6,ZPC(YEL),SM20C	1	PC	SNA
4	6031-001500	WASHER-PLAIN	N6M03,-,ID8,OT17,T0.2,-,-	1	PC	SNA
5	DC31-00032D	MOTOR BLDC-FAN	DL-7806SSWC,1700,17.5VDC,	1	PC	SA
6	DC32-00004C	THERMISTOR	PTM-K51F-S16,R=3.3KΩ±5%(at 10	1	PC	SNA
7	DC47-00016B	THERMOSTAT	125/250V,25A,-35,125+-5.0	1	PC	SNA
8	DC47-00016C	THERMOSTAT	125/250V,16A,-35,125+-5.0	1	PC	SNA
9	DC61-02224A	HOUSING FAN-LOW FRONT	HEBA-COMBO,PA,T2.5	1	PC	SNA
10	DC61-02229A	HOUSING FAN-UP REAR	HEBA-COMBO,PA,T3.0,B	1	PC	SNA
11	DC67-00366A	FAN DRY	HEBA,PA,OD138.0,30EA,T2.0,HEBA-P	1	PC	SNA
11-1	DC61-01096A	BUSH FAN	ZNDC,INSERT-PART	1	PC	SNA
12	DC69-01039E	PACKING-DUCT	WM PW01 FWM MODEL,Rubber,T4	1	PC	SNA
13	DC69-01039G	SEAL DUCT	WM PW01 FWM MODEL,SILICON,OTHE	1	PC	SNA
14	DC93-00056A	ASSY DUCT SCROLL-SUB	HEBA-COMBO,WM PW01	1	PC	SNA
14-1	DC47-00008F	HEATER-DRY	-,HEBA-DD COMBO,Incoloy800,16	1	PC	SA
14-2	DC61-02643A	BRACKET HEATER	WD8754CJZ,STAINLESS-ST543	1	PC	SNA
14-3	6006-001174	SCREW-TAPPING	TH,+,WE,2S,M4,L12,ZPC(WHT)	1	PC	SNA
14-4	DC61-02224A	HOUSING FAN-LOW FRONT	HEBA-COMBO,PA,T2.5	1	PC	SNA
14-5	DC61-02226A	HOUSING FAN-UP FRONT	HEBA-COMBO,STAINLES	1	PC	SNA
15	DC62-00191A	SEAL WATER	SEW-DR605,NBR,BLACK,RUBBER /	1	PC	SNA
16	DC63-01067A	COVER HOUSING DUCT	HEBA-COMBO,STAINLESS-	1	PC	SNA
17	DC66-00504A	JOINT DIAPHRAGM	WF8804DP,EGI,-,-,T1.0,11	1	PC	SA

## 8.SCREW LIST

### MODEL CODE:WD1704RJC1/XEF

Service Bom (SA: SERVICE AVAILABLE, SNA: SERVICE NOT AVAILABLE)

Code No.	Description	Specification	QTY	Un	SA/SNA
6002-000520	SCREW-TAPPING	TH,+,-,2,M4,L12,ZPC(WHT),S	4	PC	SNA
6003-001768	SCREW-TAPTYPE	TH,+,WT,S,M4,L10,ZPC(WHT),	2	PC	SNA
6006-001174	SCREW-TAPPING	TH,+,WE,2S,M4,L12,ZPC(WHT)	5	PC	SNA
6002-001327	SCREW-TAPPING	PWH,+,1,M4,L12,ZPC(WHT),SW	4	PC	SNA
6006-001174	SCREW-TAPPING	TH,+,WE,2S,M4,L12,ZPC(WHT)	2	PC	SNA
DE60-10080A	SCREW-TAPPING	PWH,+, -,2S,M5,L9,-,SWRCH18	2	PC	SNA
6002-000520	SCREW-TAPPING	TH,+,-,2,M4,L12,ZPC(WHT),S	4	PC	SNA
6002-000239	SCREW-TAPPING	TH,+,NO,2S,M4,L8,ZPC(WHT),	2	PC	SNA
6002-001554	SCREW-TAPPING	TH,+,No,1,M4,L12,STS430,HE	12	PC	SNA
6002-000445	SCREW-TAPPING	TH,+,NO,2,M4,L18,PASS,STS4	4	PC	SNA
6002-001554	SCREW-TAPPING	TH,+,No,1,M4,L12,STS430,HE	2	PC	SNA
6009-001522	SCREW-HEX	HWH,+,M5,L16,PASS,STS430,FP,SE	2	PC	SA
6002-000444	SCREW-TAPPING	TH,+,2,M4,L14,PASS,STS430	5	PC	SNA
6002-000445	SCREW-TAPPING	TH,+,NO,2,M4,L18,PASS,STS4	2	PC	SNA
6002-000520	SCREW-TAPPING	TH,+,-,2,M4,L12,ZPC(WHT),S	1	PC	SNA
6002-001438	SCREW-TAPPING	HWH,+,NO,1,M5,L12,ZPC(WHT)	2	PC	SNA
6003-001768	SCREW-TAPTYPE	TH,+,WT,S,M4,L10,ZPC(WHT),	1	PC	SNA
6006-001174	SCREW-TAPPING	TH,+,WE,2S,M4,L12,ZPC(WHT)	5	PC	SNA
6009-001343	SCREW-SPECIAL	PH,TORX,M4,L12,ZPC(WHT),SW	1	PC	SNA
6002-000520	SCREW-TAPPING	TH,+,-,2,M4,L12,ZPC(WHT),S	2	PC	SNA
6001-000115	SCREW-MACHINE	BH,+,-,M3,L10,ZPC(WHT),SWR	2	PC	SNA
6002-000630	SCREW-TAPPING	PH,+,NO,2S,M3,L8,ZPC(WHT),	4	PC	SNA
6002-000239	SCREW-TAPPING	TH,+,NO,2S,M4,L8,ZPC(WHT),	5	PC	SNA
6006-001174	SCREW-TAPPING	TH,+,WE,2S,M4,L12,ZPC(WHT)	23	PC	SNA
6006-001174	SCREW-TAPPING	TH,+,WE,2S,M4,L12,ZPC(WHT)	1	PC	SNA
6002-001436	SCREW-TAPPING	PH,+,2,M4,L18,ZPC(WHT),SWR	3	PC	SNA
6003-001563	SCREW-TAPTYPE	TH,+,S,M4,L8,NI PLT,SWRCH1	2	PC	SNA
6002-000445	SCREW-TAPPING	TH,+,NO,2,M4,L18,PASS,STS4	4	PC	SNA
6002-000520	SCREW-TAPPING	TH,+,-,2,M4,L12,ZPC(WHT),S	1	PC	SNA
6002-000444	SCREW-TAPPING	TH,+,2,M4,L14,PASS,STS430	1	PC	SNA
6009-001367	SCREW-HEX	HWH,+,-,M6.5,L32,ZPC(WHT),SWRC	16	PC	SNA
6002-001006	SCREW-TAPPING	TH,+,-,2S,M4,L12,PASS,STS4	3	PC	SNA
6002-000520	SCREW-TAPPING	TH,+,-,2,M4,L12,ZPC(WHT),S	1	PC	SNA